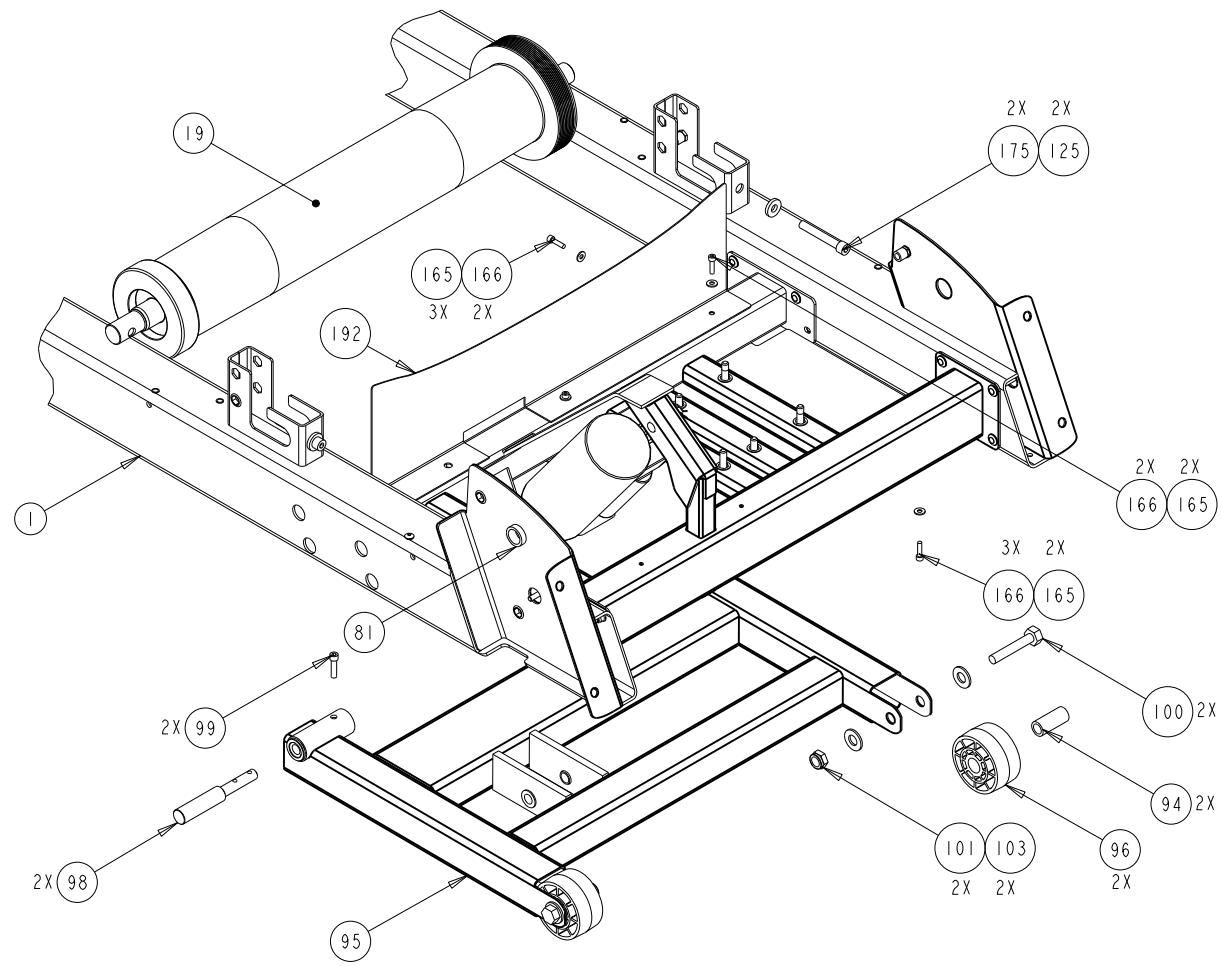
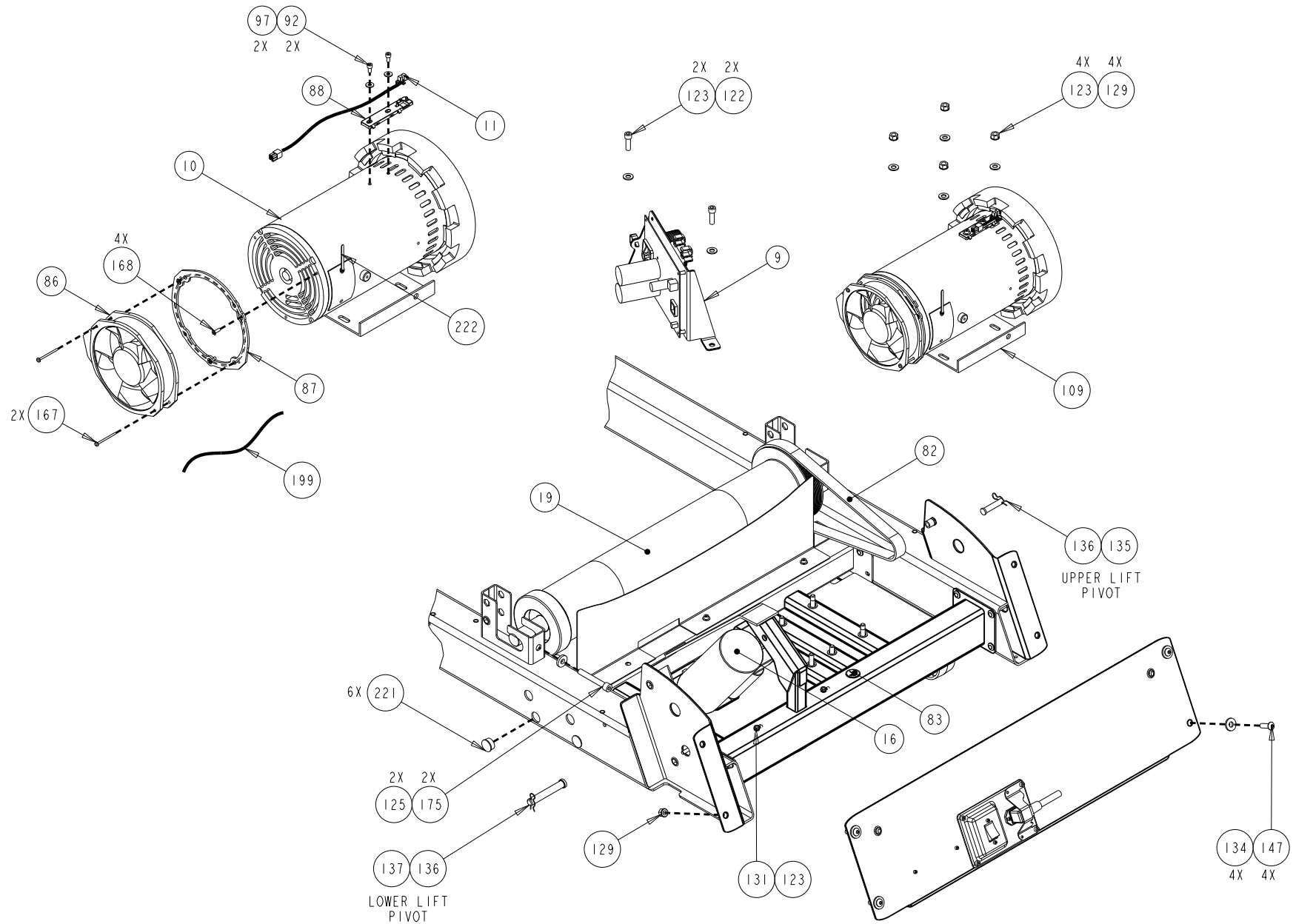


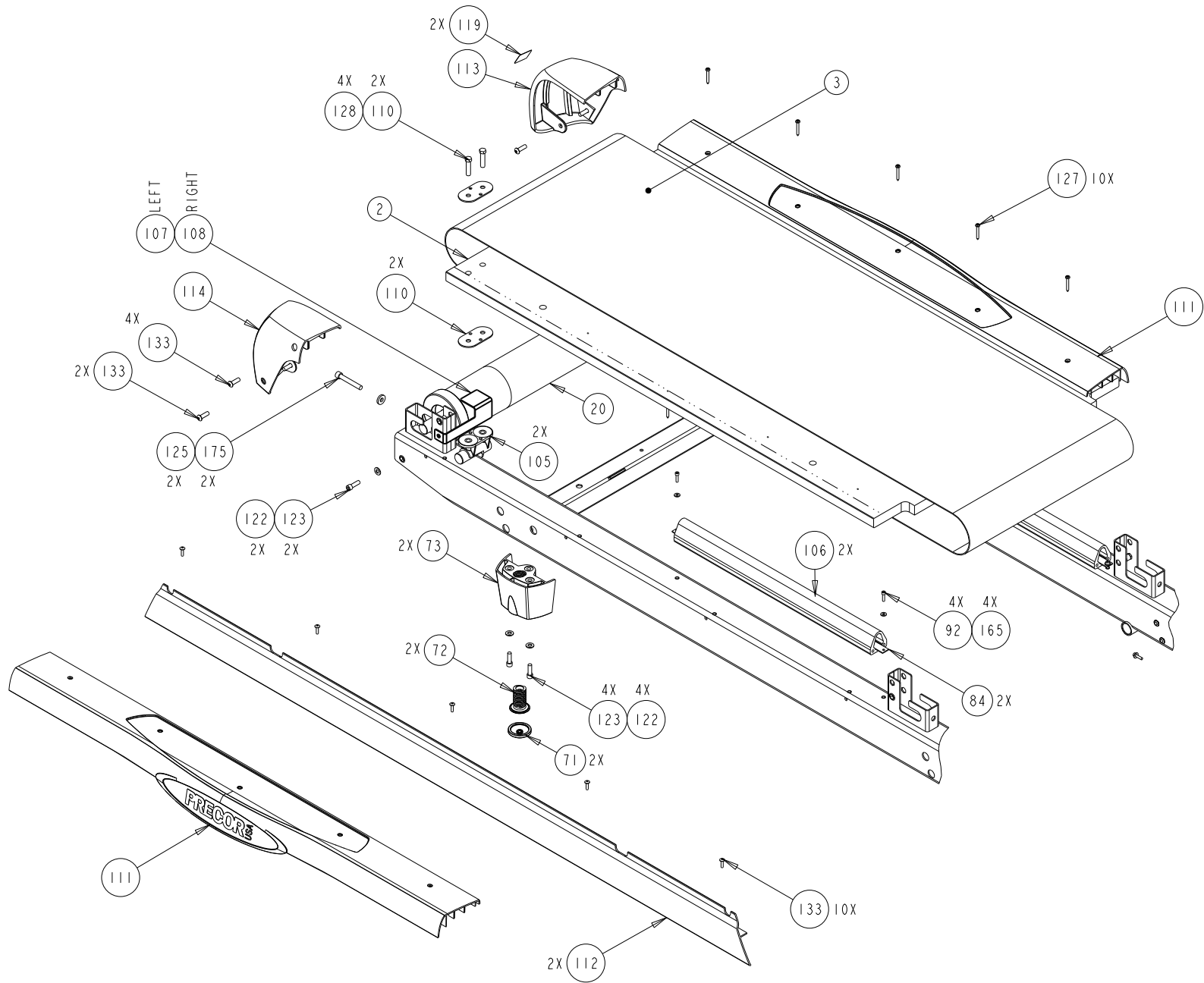
C966i NH	P/N: 48576-101	REV: B02
DRAWN BY: C THOMSON	DATE: 03 DEC 2009	SHEET 1 OF 7



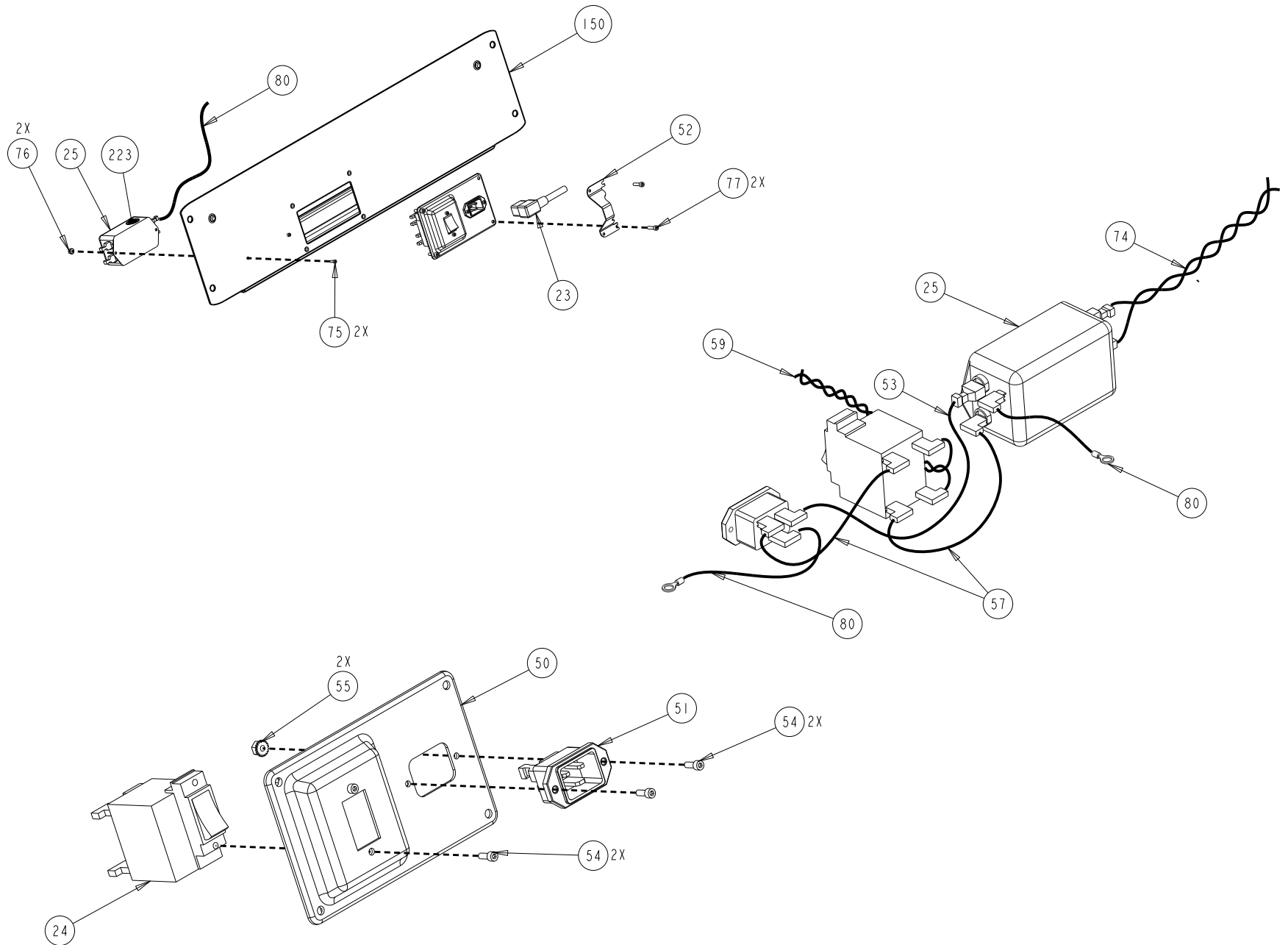
C966i NH	P/N: 48576-101	REV: B02
DRAWN BY: C THOMSON	DATE: 03 DEC 2009	SHEET 2 OF 7



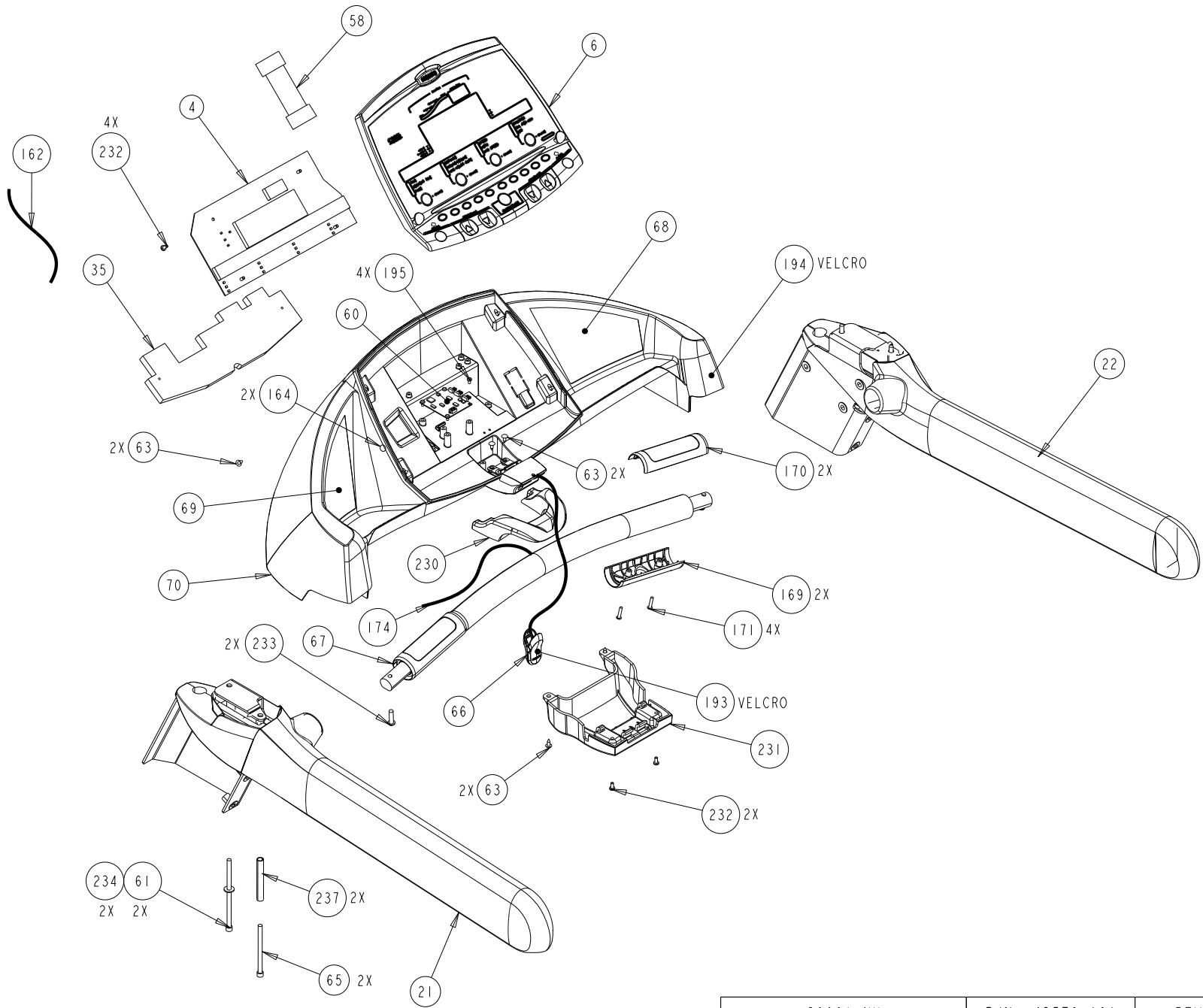
C966i NH	P/N: 48576-101	REV: B02
DRAWN BY: C THOMSON	DATE: 03 DEC 2009	SHEET 3 OF 7



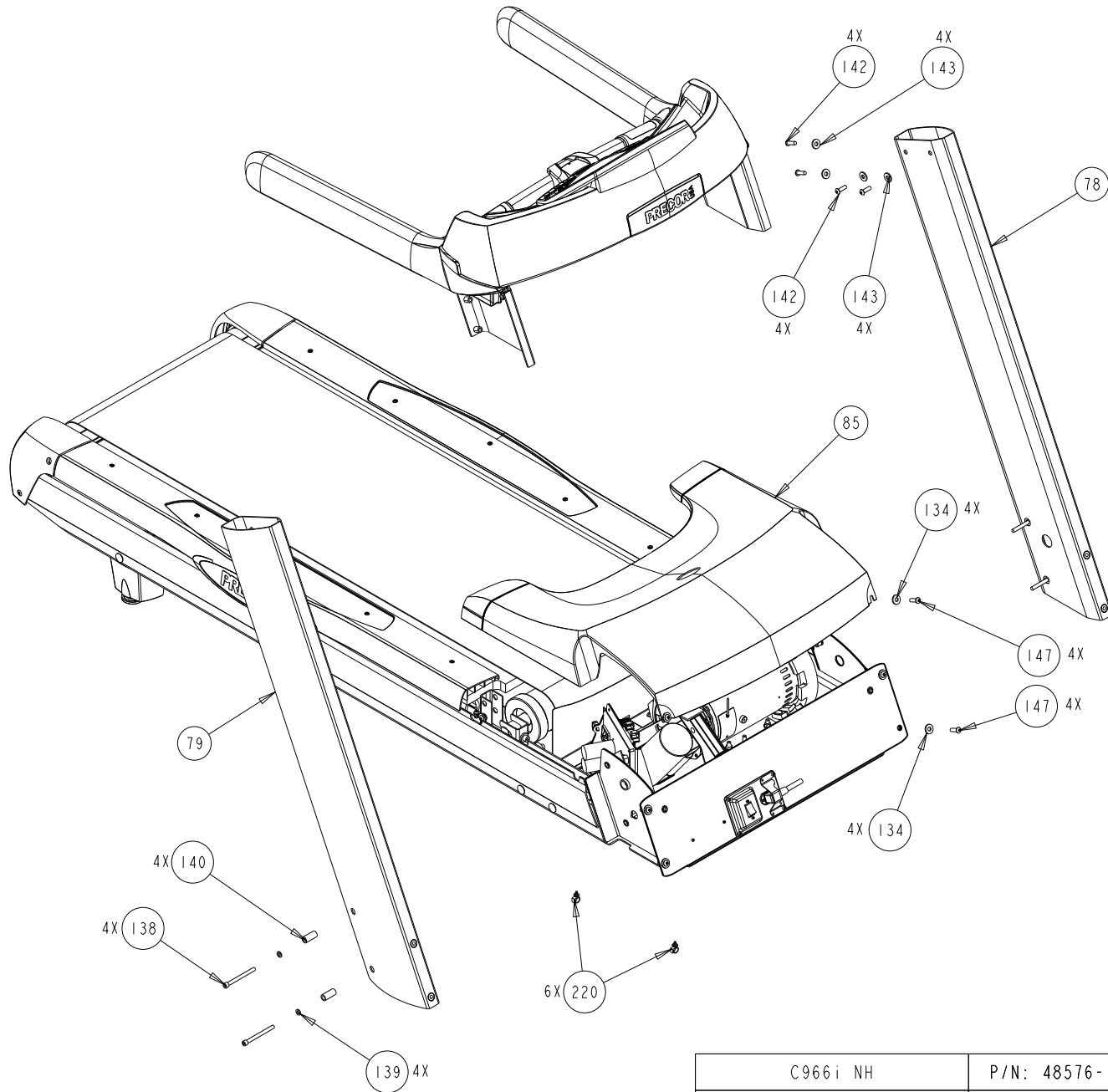
C966i NH	P/N: 48576-101	REV: B02
DRAWN BY: C THOMSON	DATE: 03 DEC 2009	SHEET 4 OF 7



C966i NH	P/N: 48576-101	REV: B02
DRAWN BY: C THOMSON	DATE: 03 DEC 2009	SHEET 5 OF 7



C966i NH	P/N: 48576-101	REV: B02
DRAWN BY: C THOMSON	DATE: 03 DEC 2009	SHEET 6 OF 7



C966i NH	P/N: 48576-101	REV: B02
DRAWN BY: C THOMSON	DATE: 03 DEC 2009	SHEET 7 OF 7